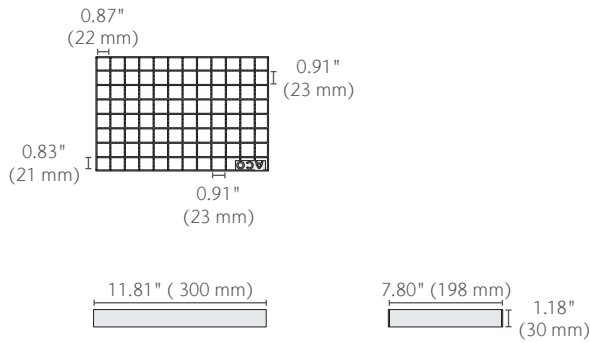


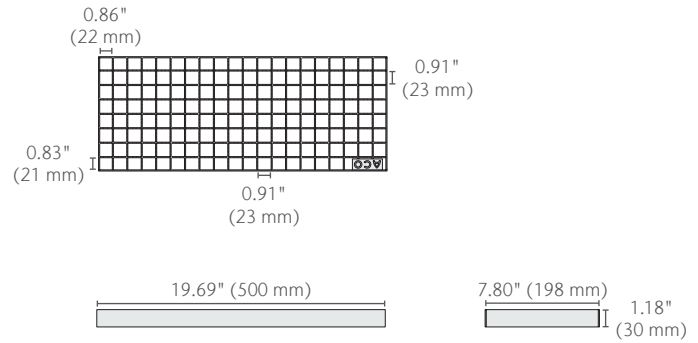
# MOD200 Mesh Grate



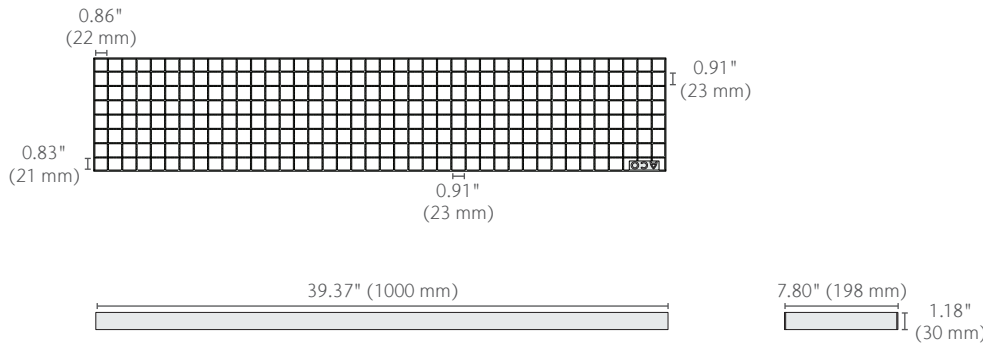
## 300mm



## 500mm



## 1000mm



Parts	Part No.	Grate Material	Weight lbs	Intake sq. in.	EN1433 Load Class
Mesh Grate 300 mm	414140	AISI 304	3.5	67.0	A15
	414190	AISI 316L	3.5	67.0	A15
Mesh Grate 500 mm	92200	AISI 304	6.6	127.6	A15
	92250	AISI 316L	6.6	127.6	A15
Mesh Grate 1000 mm	92201	AISI 304	12.8	256.0	A15
	92251	AISI 316L	12.8	256.0	A15

### Specification Summary

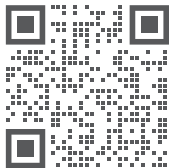
Used with ACO Modular 200 channels. Made from AISI 304 or AISI 316L. Load class per EN 1433.

ACO recommends checking local plumbing codes prior to installation.

## ACO, Inc.

© January 2026 ACO, Inc.

All reasonable care has been taken in compiling the information in this document. All recommendations and suggestions on the use of ACO products are made without guarantee since the conditions of use are beyond the control of the company. It is the customer's responsibility to ensure that each product is fit for its intended purpose and that the actual conditions of use are suitable. ACO, Inc. reserves the right to change products and specifications without notice.



info@acousa.com  
www.acousa.com

